



We make drive systems
comfortable and reliable.

SÜDDEUTSCHE GELENKSCHLEIBENFABRIK GMBH & CO. KG

SGF Industrial Applications

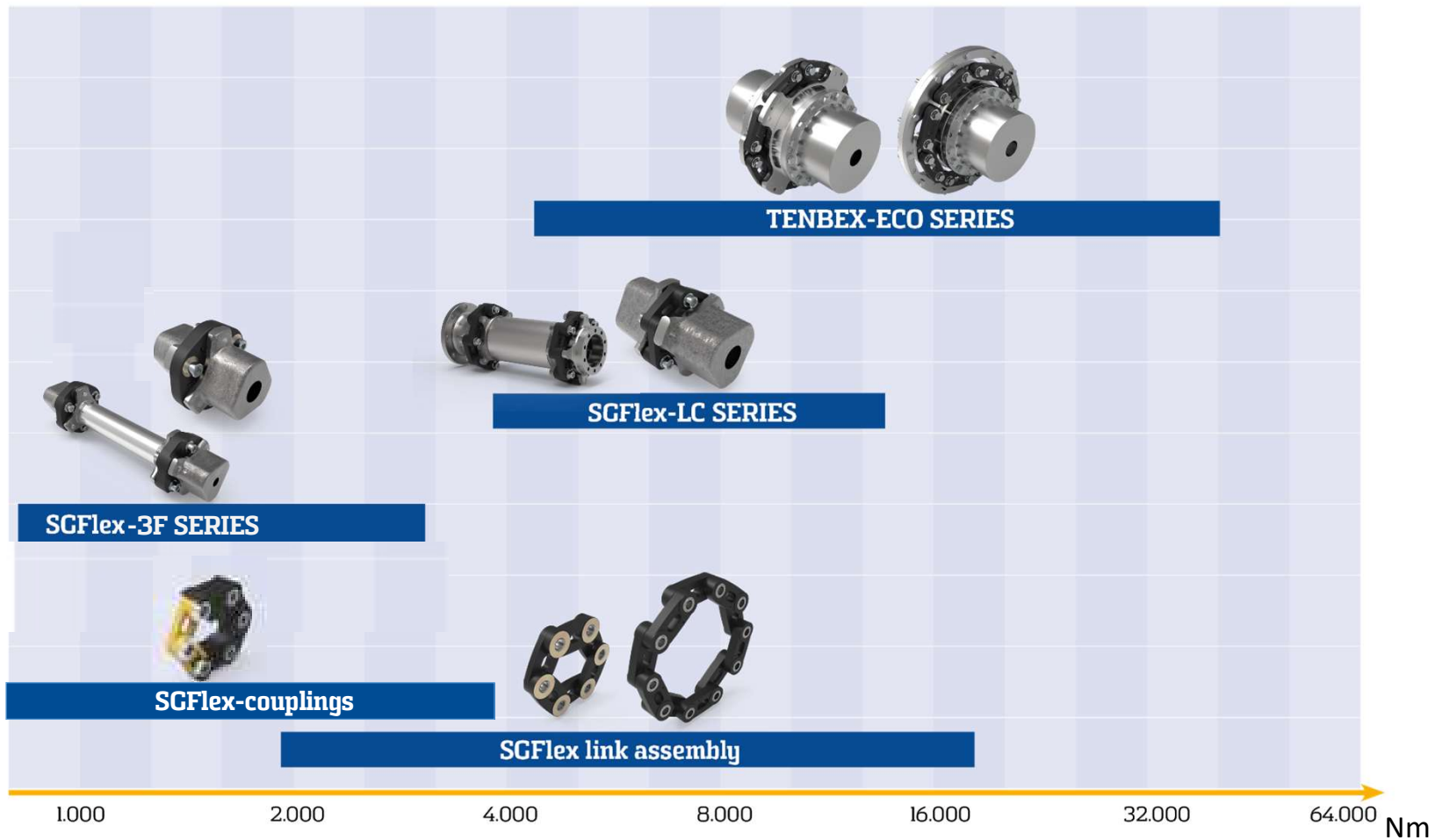


TECHNOLOGY MADE IN GERMANY

INDUSTRY MARKETS AT A GLANCE



INDUSTRY STANDARD SOLUTIONS (200 Nm - 40.000 Nm)





We make drive systems
comfortable and reliable.

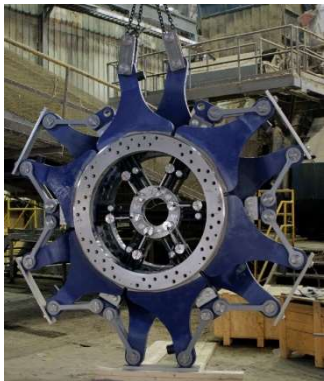


INDIVIDUAL APPLICATIONS



We make drive systems comfortable and reliable.

INDIVIDUAL APPLICATIONS



SIEMENS





We make drive systems comfortable and reliable.

INDIVIDUAL APPLICATIONS



 **Rubber Design**
vibration and noise control





We make drive systems
comfortable and reliable.



SERVICES WE OFFER FOR OUR SALES PARTNER



We make drive systems
comfortable and reliable.

SERVICES WE OFFER FOR OUR SALES PARTNER

- technology training
- product training
- assist by transferring excellent market applications
- first customer visit
- marketing and advertisement
- catalogues, white paper, draws and technical data sheets
- partner projects
- engineering for individual applications
- analyzing the problems of the customer
- testing products or applications



We make drive systems
comfortable and reliable.

A close-up photograph of a complex mechanical assembly, likely a drive system component. The image shows various metal parts, including a cylindrical shaft with a flange, a bearing, and other precision-machined components. The lighting is dramatic, highlighting the metallic textures and sharp edges. The background is blurred, showing more of the machinery in shades of blue and grey.

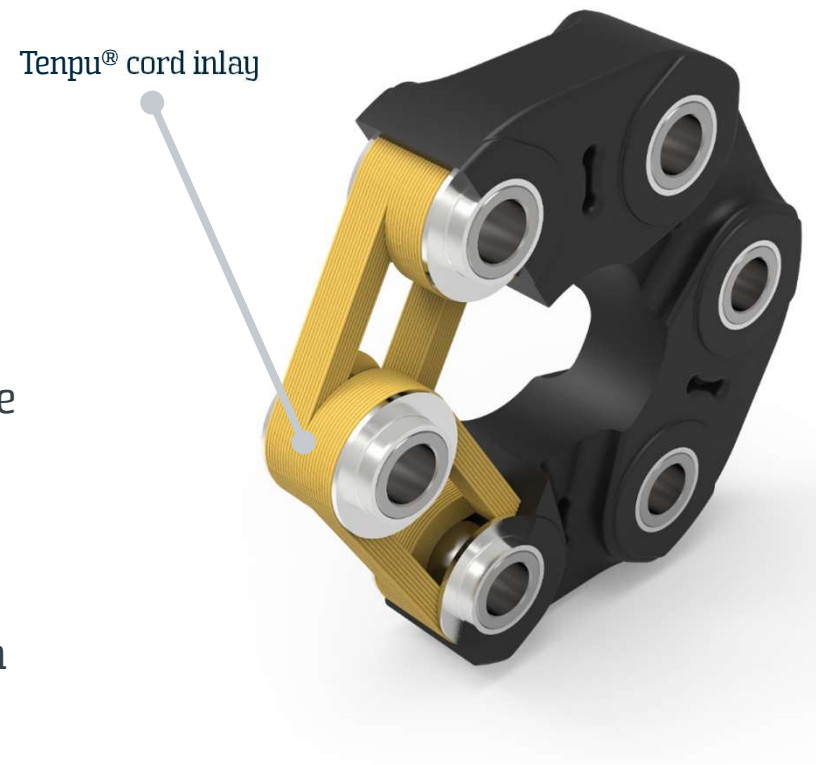
SGF PROPERTIES

SGF – TECHNOLOGY

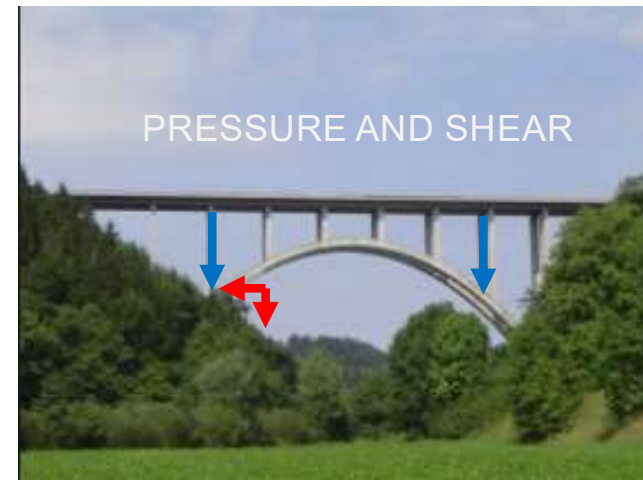
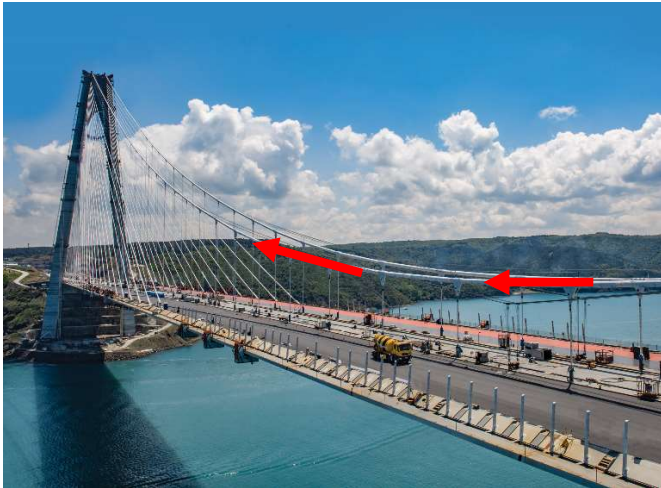
TENSION FORCE PRINCIPLE

Torques are transmitted almost exclusively via the vulcanised-in, interior cord inlays (Tenpu® fiber technology) by tension force.

The cord inlays serve to damp torque peaks and to absorb start-up impacts. The rubber takes on a supporting and protective function for the cord packets and serves to isolate noises due to the interruption of the structure-borne noise path.



SGF – TENSION LOAD PRINCIPLE



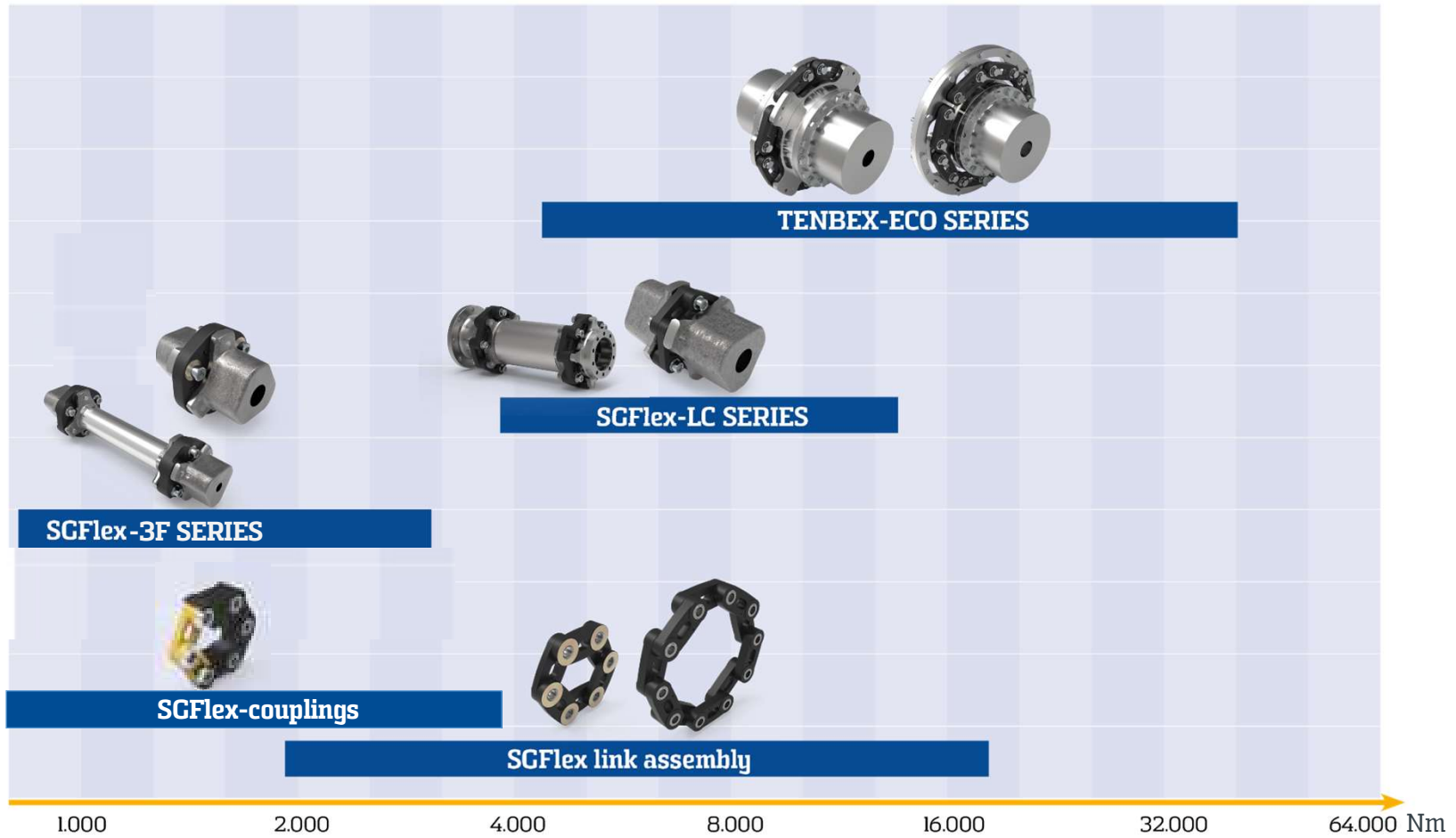
This difference gives SGF - couplings the special properties

PROPERTIES OF OUR TECHNOLOGY

- » Small size
- » Robust system
- » Compensation for radial, axial and angular misalignment
- » Damping of torque peaks and start-up impacts
- » Noise reduction
- » Temperature resistance from -40° up to 100°
- » Modular coupling concept
- » Simple installation without exact alignment
- » Clearance-free power transmission
- » High power density
- » Closed and maintenance-free system



INDUSTRY STANDARD SOLUTIONS (200 Nm - 40.000 Nm)





SCFlex flex coupling / link assembly

with Tenpu[®] fiber technology

SGFlex flex coupling / link assembly



**SGFlex
flex coupling**

Special features:

- » Most coupling characteristics can be adjusted in a wide range without changing the geometry.

Technical Data:

- » Nominal torque approx. 100 Nm up to 3.240 Nm
- » Angular misalignment up to approx. 3° possible
- » Axial misalignment up to approx. 1,9 mm possible
- » Radial misalignment up to approx. 1,4 mm possible



**SGFlex
link assembly**

Benefits:

- » High torque transmission by small installation space
- » Standard couplings or link elements used for big sizes

Technical Data:

- » Nominal torque approx. 1.950 Nm up to 19.000 Nm
- » Outer diameter 263 mm – 639 mm
- » Angular misalignment up to approx. 2° possible
- » Axial misalignment up to approx. 2 mm possible
- » Radial misalignment up to approx. 0,5 mm possible



SGFlex-3F SERIES with Tenpu[®] fiber technology

FLEX COUPLING ASSEMBLY



We make drive systems comfortable and reliable.

SGFlex-3F SERIES



for shaft - one side connection



for shaft - shaft connection



for flywheel - shaft connection

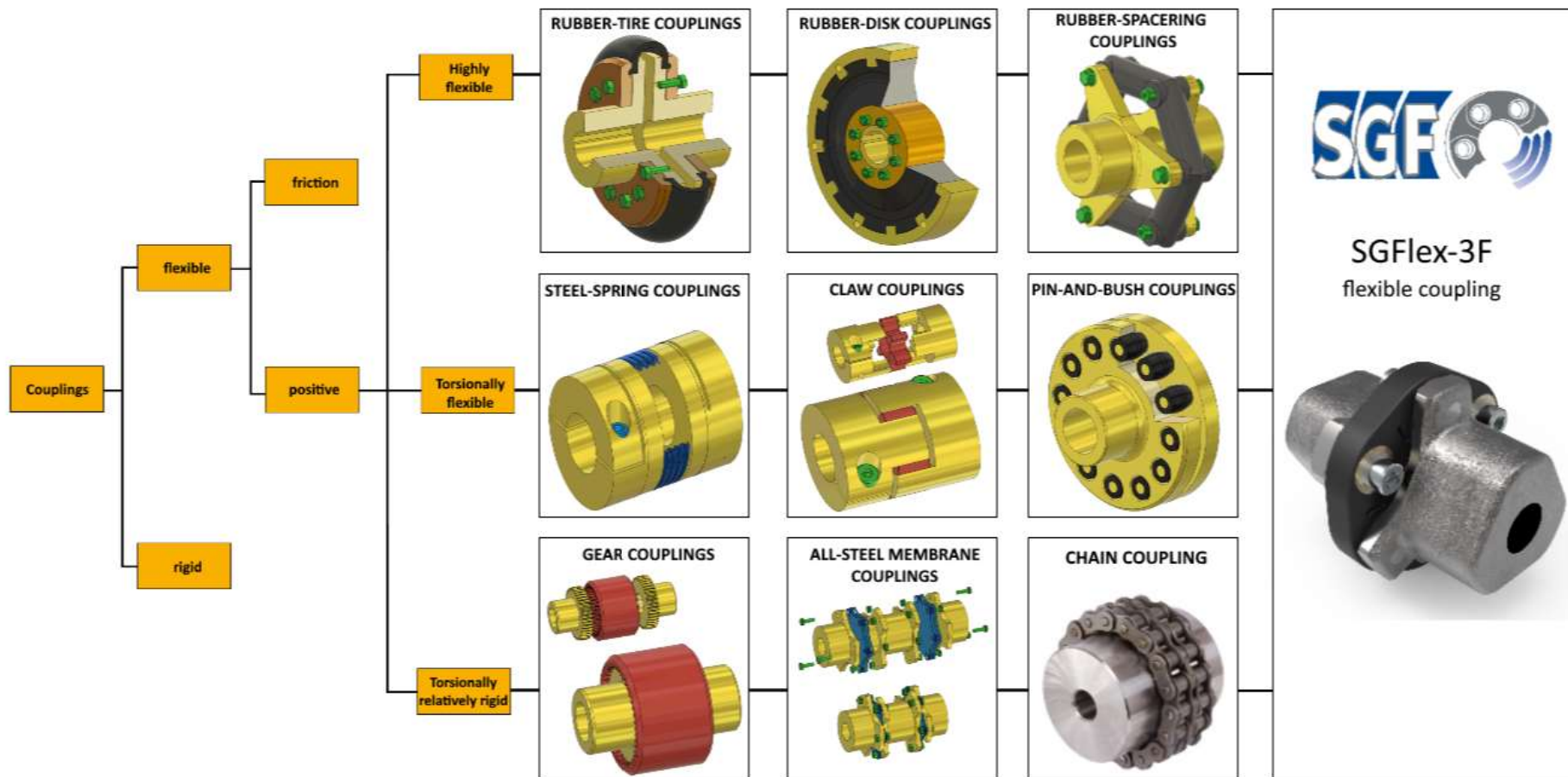
Nominal Toque
(210 – 3.240 Nm)

SGFlex-3FD - 075
↑ ↑
Type Size

Flywheel Connection
acc. to SAE J620

Each type is available in 6 standardized sizes (BCD): 075 / 096 / 120 / 140 / 180 / 220

OVERVIEW WHERE WE COULD WORK





SGFlex-3F-CONNECT

DOUBELE CARDANIC FLEX COUPLING ASSEMBLY

SGFlex-3FD-CONNECT with centering system



centering system

SGFlex-3F-Align

Centering system

- » Angular misalignment up to 5°
- » Retain radial force from imbalance of an unsupported shaft
- » Enabling the system for high speed and/or requirements for low imbalance
- » Enabling for applications with long drive shafts
- » Easy assembly and disassembly without moving the drive and driven units



SGFlex-LC SERIES with Tenpu[®] fiber technology

SGFLex-LC-SERIES



6 Link Elements

- » BCD 200 mm
- » Nominal torque 1,95 kNm – 4,4 kNm
- » shaft diameter 64 mm (pilot bore) up to 125 mm



8 Link Elements

- » BCD 261 mm
- » Nominal torque 3,6 kNm – 8,3 kNm
- » shaft diameter 64 mm (pilot bore) up to 140 mm

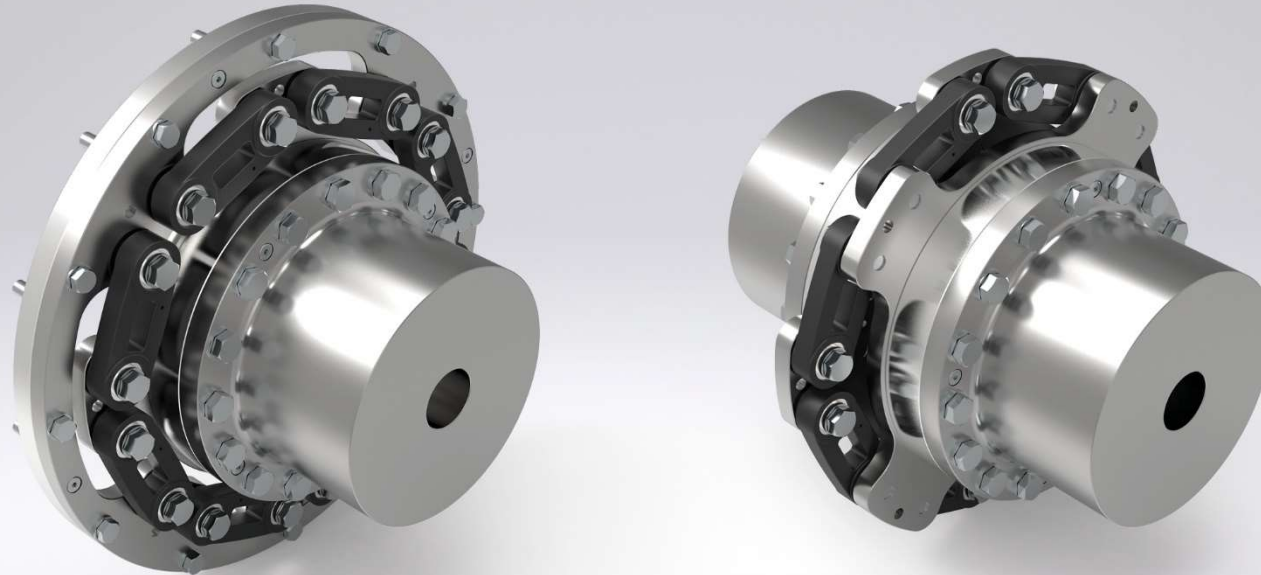


10 Link Elements

- » BCD 323 mm
- » Nominal torque 5,7 kNm – 13,2 kNm
- » shaft diameter 64 mm (pilot bore) up to 170 mm



SGFlex-LC-CONNECT with Tenpu[®] fiber technology



TENBEX-ECO SERIES with Tenpu[®] fiber technology

LINK COUPLING

TENBEX-ECO SERIES



TENBEX-ECO-F

for flywheel - shaft

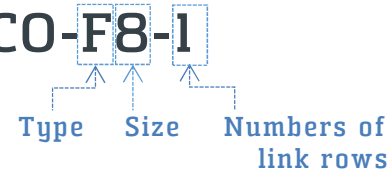


TENBEX-ECO-D

for shaft - shaft

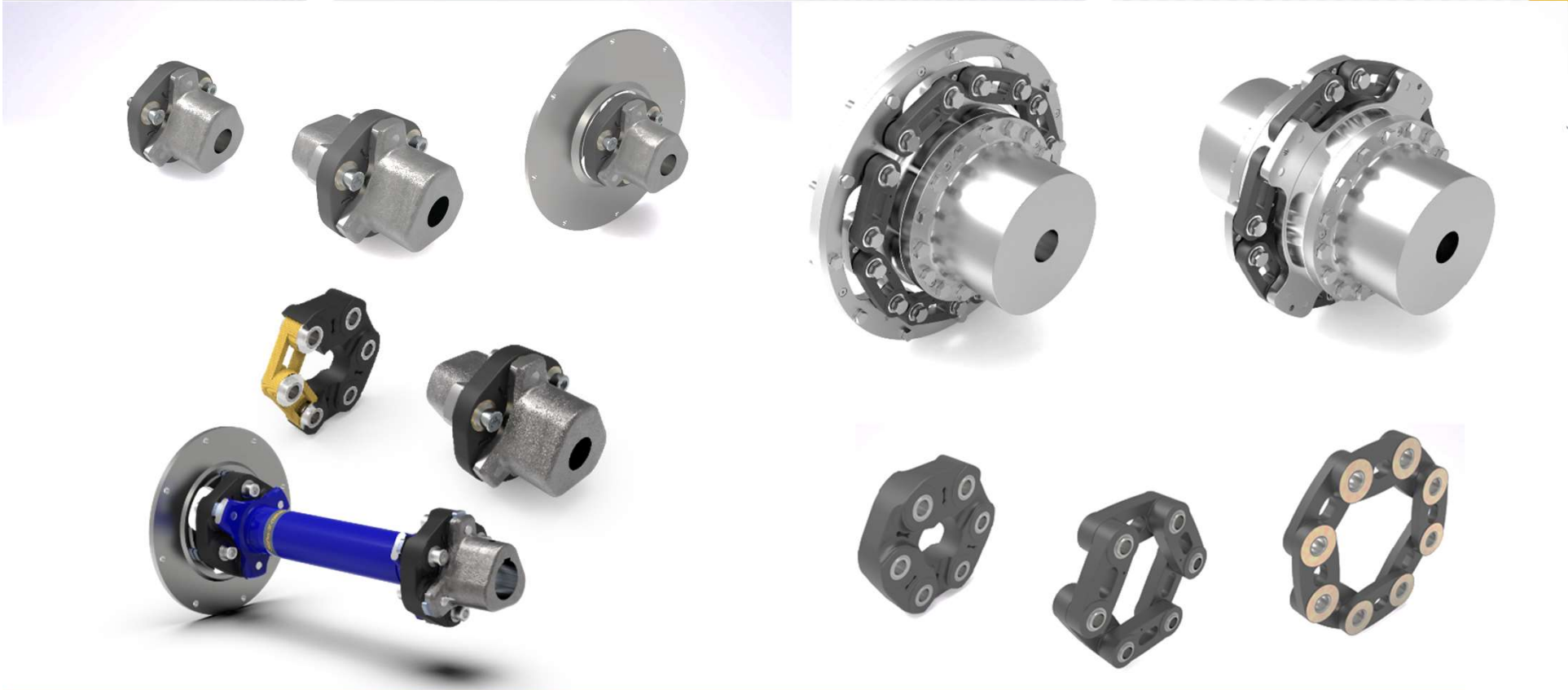
Nominal Torque
(4.500 – 40.000 Nm)

TENBEX-ECO-F8-1



Flywheel Connection
acc. to SAE J620

Both types are available in 5 standardized sizes (number of link elements): 4-1 / 6-1 / 8-1 / 10-1 / 12-1



REFERENCES



We make drive systems comfortable and reliable.

CUSTOMER APPLICATIONS AGRICULTURE





We make drive systems comfortable and reliable.

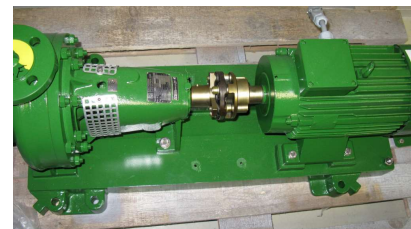
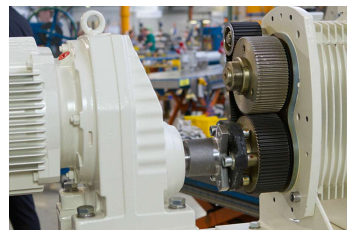
CUSTOMER APPLICATIONS AGRICULTURE





We make drive systems comfortable and reliable.

CUSTOMER APPLICATIONS PUMPS AND COMPRESSORS





We make drive systems comfortable and reliable.

MORE CUSTOMER



HAVER & BOECKER



Linde Material Handling



Deutsche Bahn
Bahnunternehmer





We make drive systems
comfortable and reliable.

Süddeutsche Gelenkscheibenfabrik GmbH & Co. KG

Graslitzer Str. 14

84478 Waldkraiburg

GERMANY

Tel.: +49 8638 605 588

E-Mail: Industry@sgf.com

www.sgf.com

